



FIBERNET
Made in Italy

UNICO
mobile

DESIGNED BY  FIBERNET

UN1CO

mobile

Are you ready for UN1CO world?

UN1CO mobile is a **smart tray** where you can fix splicing machine, cleaver and all the tools you need for FTTH applications. It can be worn, installed on a **pole**, on a **ladder** or on a tripod to maximize the efficiency.



UN1CO mobile's weight is just 1.25 kg: you can bring it with you in its practical backpack and comfortably wear it to use it on the field.



Fix the splicer and cleaver with the supplied screws or double-sided stretches. Thanks to the magnets, your tools are also safe.



No need to go up and down on the stairs for several times, or "set-up at your best" to do the job: With Un1co mobile you have all your equipment at your fingertips.

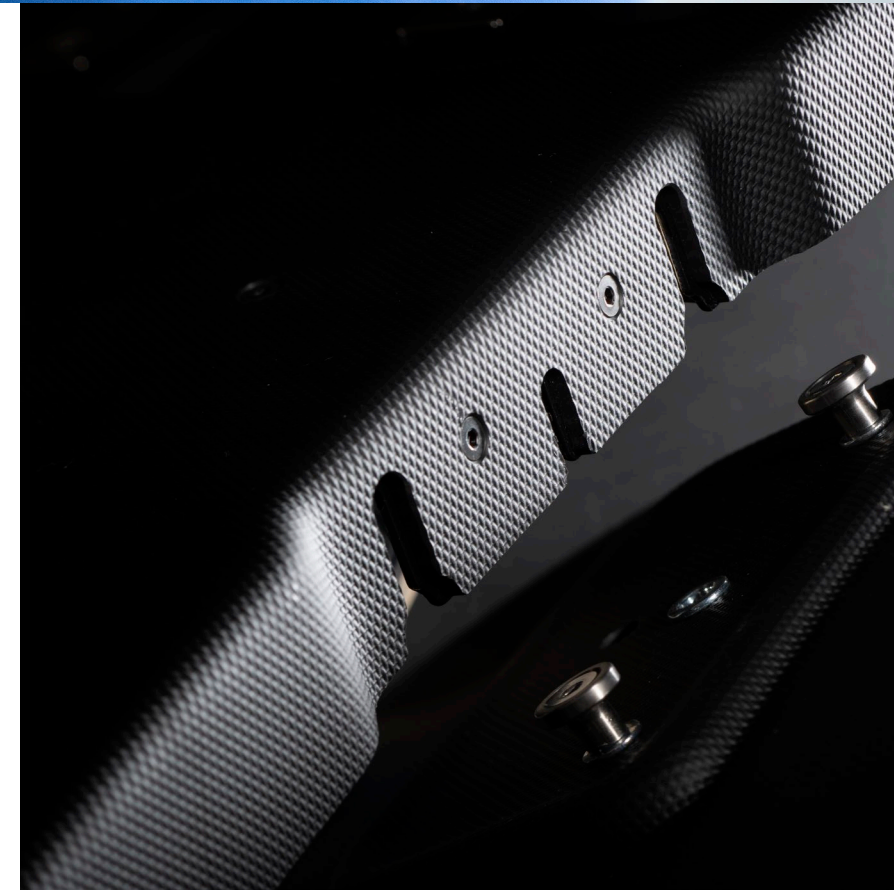
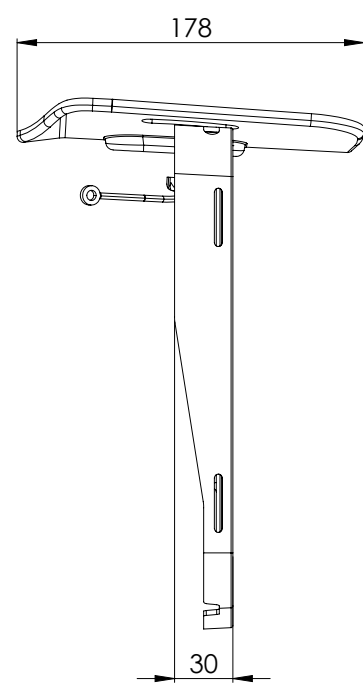
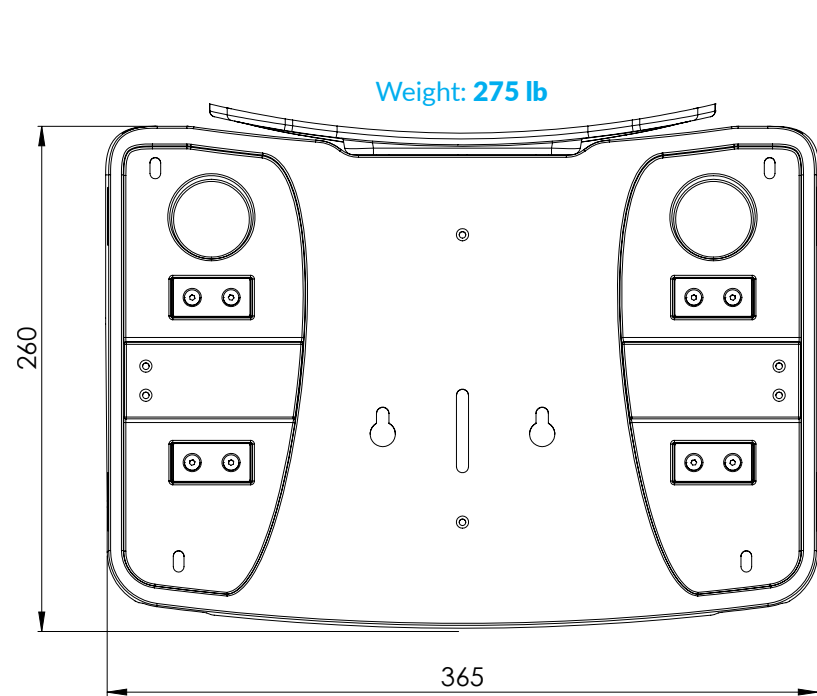


Optimize your time and reduce the risk of damaging equipment: work efficaciously and maximize your profits.



With **UN1CO mobile** you have not to worry about keeping your tools anymore: it increases safety, even at great heights.





Tripod



ladder Pole



ladder bracket

